

PRODUCT CODE: TB2G
MALLEABLE CONDUIT BOX

DESCRIPTION

20mm Malleable Terminal Back Outlet Conduit Box

FINISH

Hot Dipped Galvanised

MATERIAL

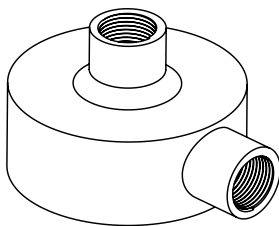
Malleable Iron

PACKAGING

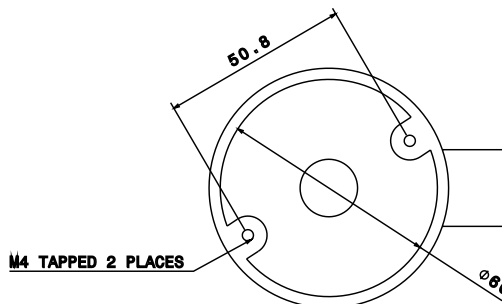
Packed in qty 10

ADDITIONAL NOTES

Conforms to BS EN61386-1:2008
Compliant to LU Standard 1-085 (for use on surface & sub-surface locations)

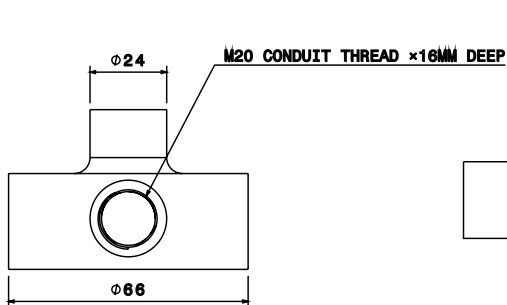


Isometric view

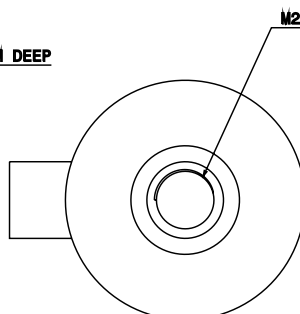


M4 TAPPED 2 PLACES

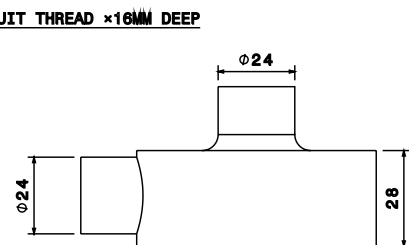
Bottom view



Front view



Top view



Side view